

TYPE **SLIM** COREPACK TUBE

SOFT - ROCK

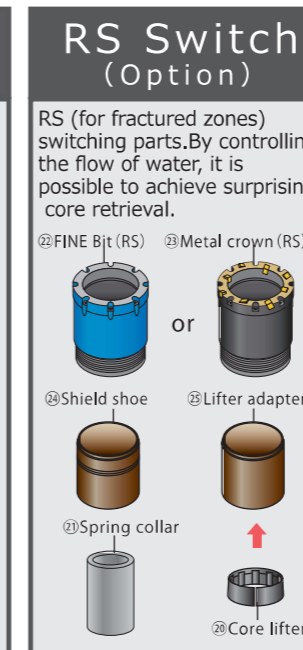
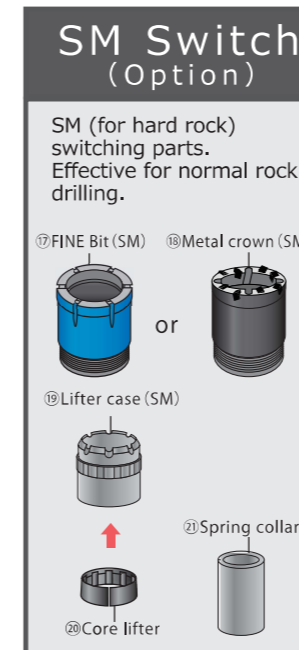
This is the most widely used standard of Corepack Tube® throughout Japan and in countries around the world.

	66SLIM		86SLIM	
	1.0m	1.5m	1.0m	1.5m
Outer diameter	66mm		86mm	
Core diameter	48mm		68mm	
Core retrieval length	1.0m	1.5m	1.0m	1.5m
Total length	1,600mm	2,100mm	1,540mm	2,040mm
Weight	16kg	20kg	25kg	31kg
Outer and inner pipe clearance	1.5mm			
Rod thread	40.5 JIS			
Drilling water	Freshwater & Mudwater			
Suitable strata	Soft water, Soft soil, Hard soil, Soft rock, Medium-hard rock, Hard rock			

*76SLIM is made-to-order.

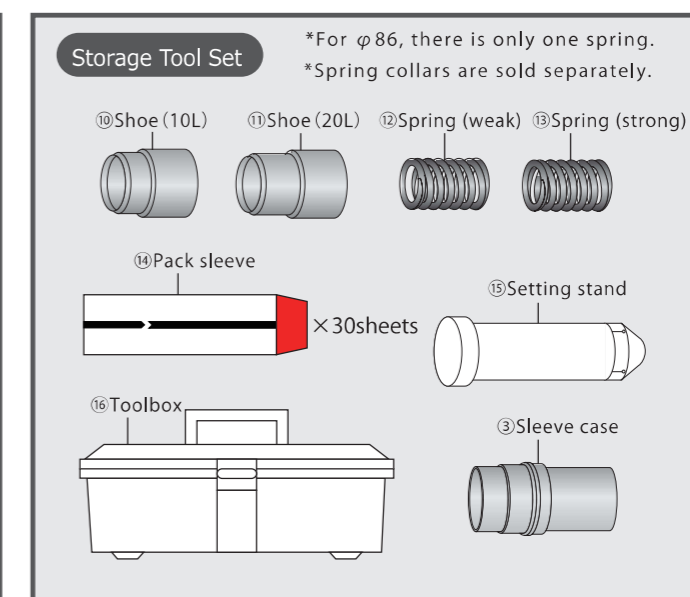
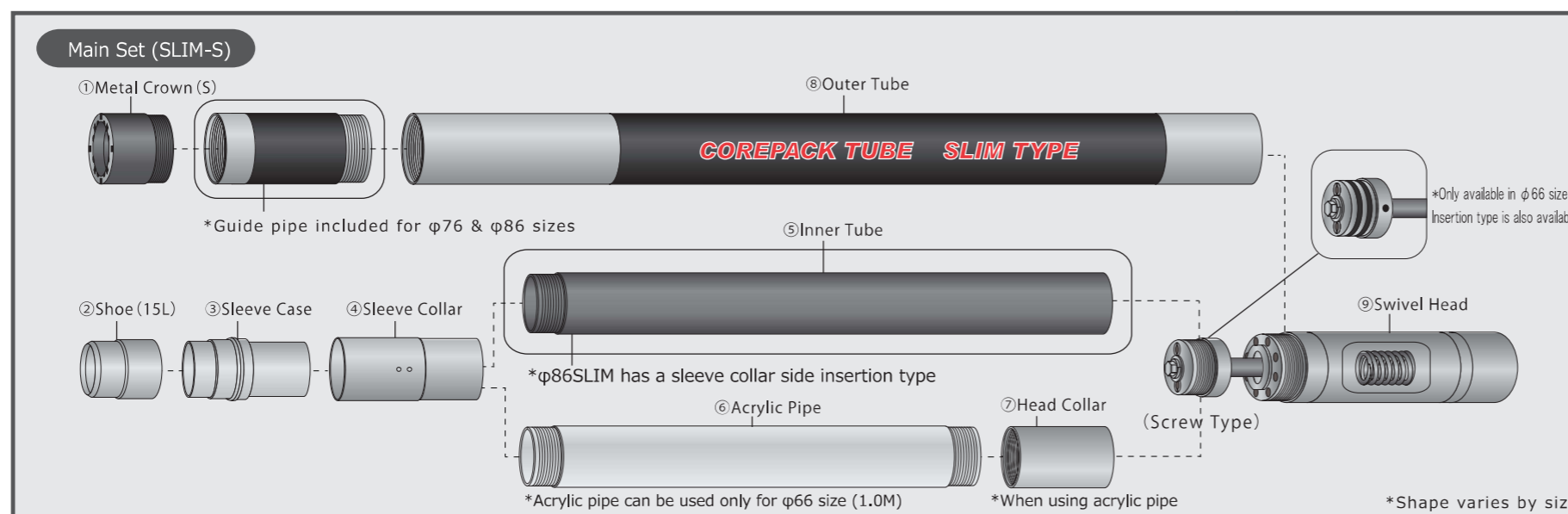
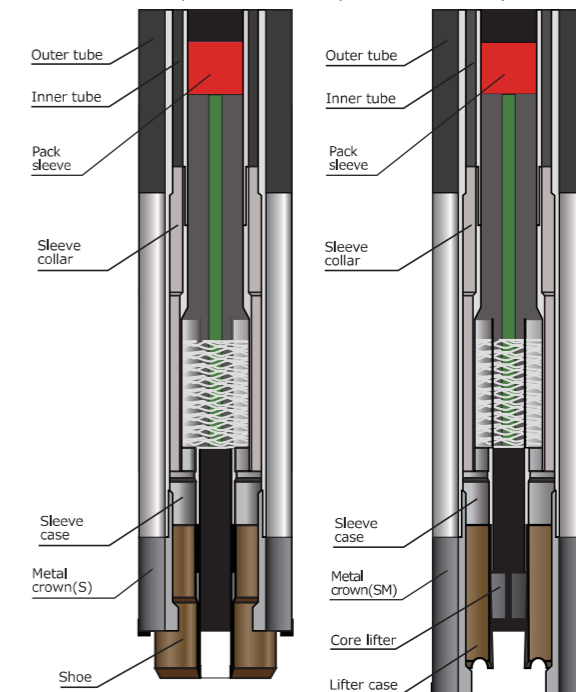
Features: Soft soil, Medium-hard, Hard rock(Simple structure)

- The core diameter is 3mm larger than the S type, making a clear difference in the appearance of the core.
- It is a high-spec model that can be used for a wide range from soft rock to hard rock and fracture zones in one set.
- The area of the drilling cross-section of the metal crown is reduced, decreasing drilling resistance and shortening collection time.



This product includes patented and utility model products.

66SLIM-S (For soft materials) 66SLIM-SM (For hard rock)



"Sleeve": The vinyl bag used for sampling collection.