

Extraordinary for Ultra Soft Coring

	Conventional			New
Size	76	86	116	100
Core Produce	1.0M	1.0M	1.0M	1.0M
Outside Diameter	76mm	86mm	116mm	100mm
Core Diameter	55mm	65mm	88mm	75mm
Total Length	1558mm	1525mm	1720mm	1475mm
Total Amount	21kg	25kg	50kg	33kg
Clearance between Tubes	1.5mm	1.5mm	2.5mm	2mm
Rod Screw Type	40.5JIS	40.5JIS	40.5/50JIS	40.5JIS
Running Water	Clear/Mud	Clear/Mud	Clear/Mud	Clear/Mud
RS	OK	OK	OK	OK

*RS= bottom discharge type

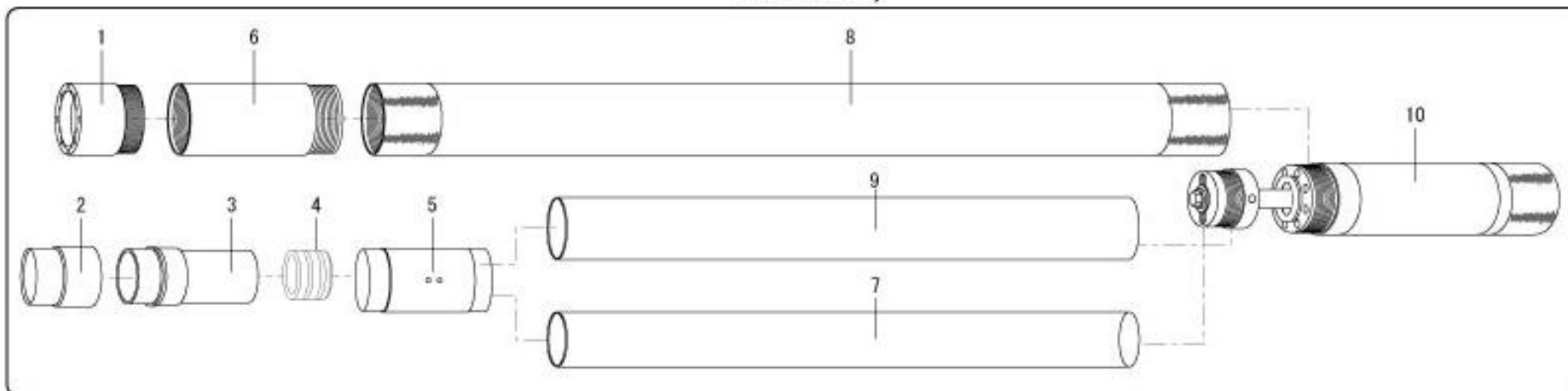


Core Pack Tube 100 Triple (core diameter $\phi 75$)

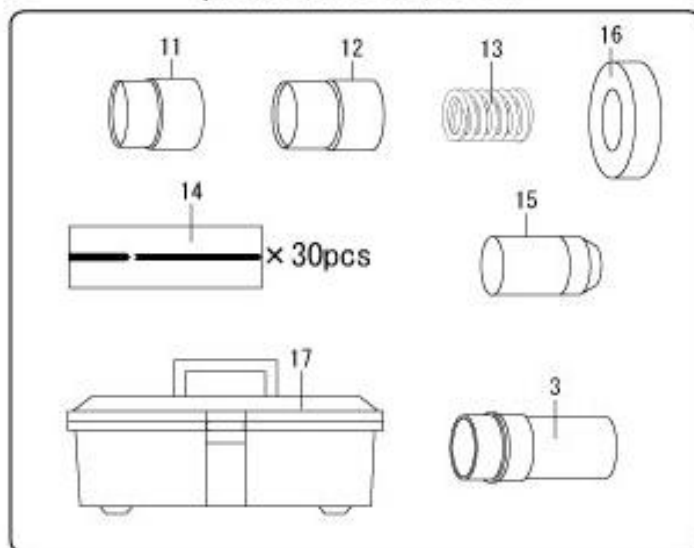
Parts List



Main Assembly



Optional Parts in Tool Box



NO.	Code	Name
1	03802000	Metal Crown(S)
2	03801520	Shoe (20L)
3	03801400	Sleeve Case (SUS)
4	03801730	Core Elevator
5	03801430	Sleeve Collar
6	03801450	Guide pipe
7	03801380	Acrylic pipe
8	03801200	Outer Tube $\times 1.0M$
9	04001300	Inner Tube $\times 1.0M$
10	04301000	Swivel Head

NO.	部品コード	部品名
11	03801515	Shoe (15L)
12	03801525	Shoe (25L)
13	01001800	Spring (weak)
14	-	Sleeve $\times 1.0M$ (30pcs)
15	03801710	Setting stand (simple)
16	03801720	Pusher
17	04001850	Tool box

100 TRIPLE

NEW

Optional for Core dropped Prevention

SSPC

Sand Bucket

Soil & Sand Perfect Catcher



PAT.P

※ Exclusive Sleeve Case is **necessary** for Bucket use.

For 86/100/116 triple

◆ **N-Value under 10 OK!!** (JIS standard penetration test)

Suitable **Very~Ultra Soft Soil Bucket**

Features

- Superior designing for Speedy Coring and maximum prevention from Core Drop out
- Excellent in durability and if Springs are fine, sealing film is replaceable

Please contact us for details or any question.
We are proud about our products and sure about your satisfaction.