

CREATE A SENSATION!

CORE PACK TUBE®

**76SLIM** & **100TRIPLE**  
are ready for order!

CORE PACK CO., LTD.

# The Best Coring with our CORE PACK TUBE®!

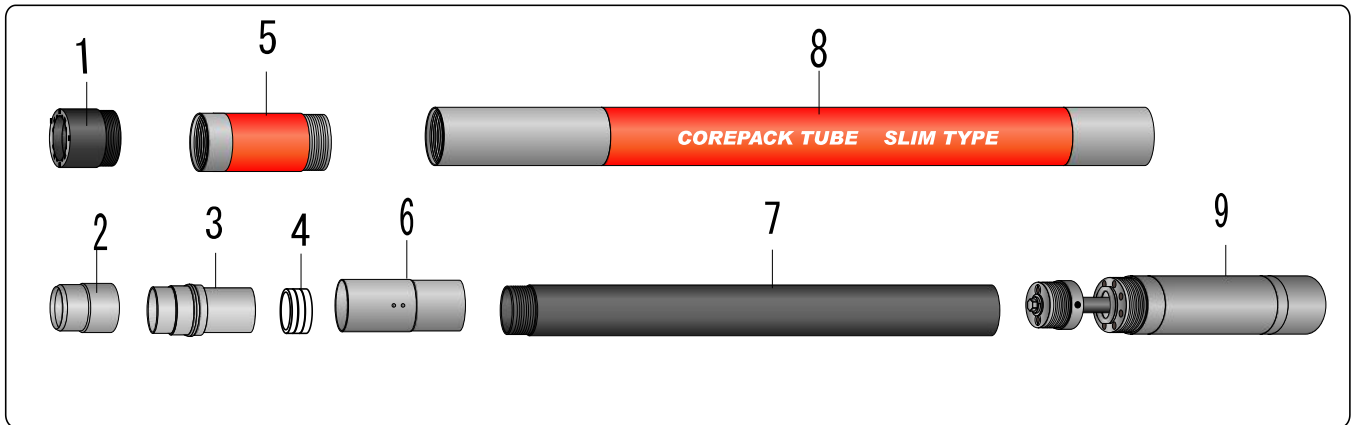
## Double Core Barrel : 76SLIM Set

Set Item #: 22000

**Core  $\Phi$  58mm  $\times$  1 meter !**

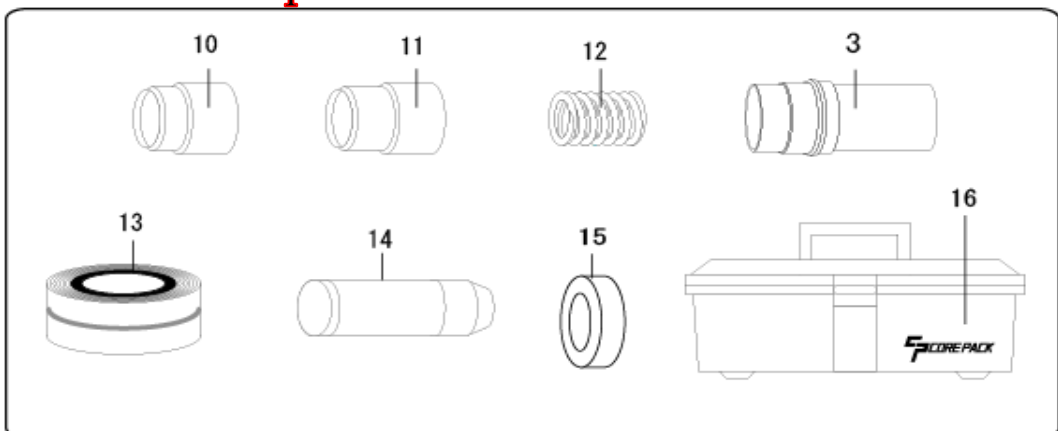
**For Soft Rock ~ Hard Rock Layer (Stratum) !!  
Easy to use ! Speedy Coring ! Economical !**

~ We offer “Main Assembly” & “Optional Parts in Tool Box” &  
“Switch Parts for Hard Rock” & “A pair of Free Arm Wrench” as a 76SLIM Set ~  
**“Main Assembly”**



You can exchange the end of the tube correspondingly to the formation!!  
( 1: Metal Bit, 2: Shoe and Spring inside 9: Swivel Head to  
→ “Switch parts for Hard Rock” 17,18,19 and 20 )

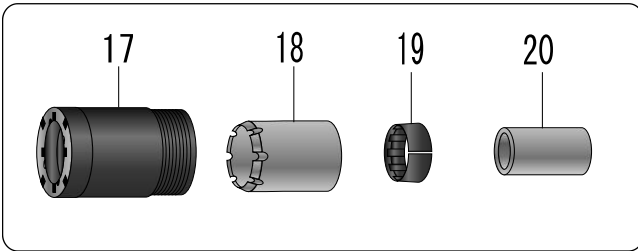
### “Optional Parts in Tool Box”



( There are two different shoes as spares.

Please use effectively according to the rock formation. )

## “Switch Parts for Hard Rock”



## “A pair of Free Arm Wrench”



●Particular surface prevents the tube from being slippery!

(If the formation is Hard,  
please switch 1,2and Spring to these17~20)

### ~ Name of the Parts : Core Pack Tube® 76SLIM ~

No.	Name	No.	Name
1	Metal Bit	11	Shoe(20L)
2	Shoe(15M)	12	Spring (weak)
3	Sleeve Case	13	Plastic Sleeve(250m roll )
4	Core Elevator	14	Setting Jig
5	Guide Pipe	15	Steady Board
6	Sleeve Collar	16	Tool Box
7	Inner Tube	17	Metal Bit for Hard Rock
8	Outer Tube	18	Lifter Case for Hard Rock
9	Swivel Head	19	Core Lifter for Hard Rock
10	Shoe(10S)	20	Spring Collar for Hard Rock

## ~ SPECIFICATION ~

CORE PACK TUBE® 76SLIM is a kind of double core barrel equipped with **Plastic Sleeve** which is widely used in Japan to take a good core sampling.

Type:SLIM is the most popular model in our CORE PACK TUBE® series.

Whenever you use the set of CORE PACK TUBE® to get a good core sampling, you will surely feel that this is the best tool.

76SLIM			
Outside Diameter	76mm	Total Length	1570mm
Core Diameter	58mm	Total Amount	20kg
Core Sample Length	1.0m	Clearance between Tubes	1.5mm
Running Water	Clear/ Mud water	Rod Screw Type	40.5JIS

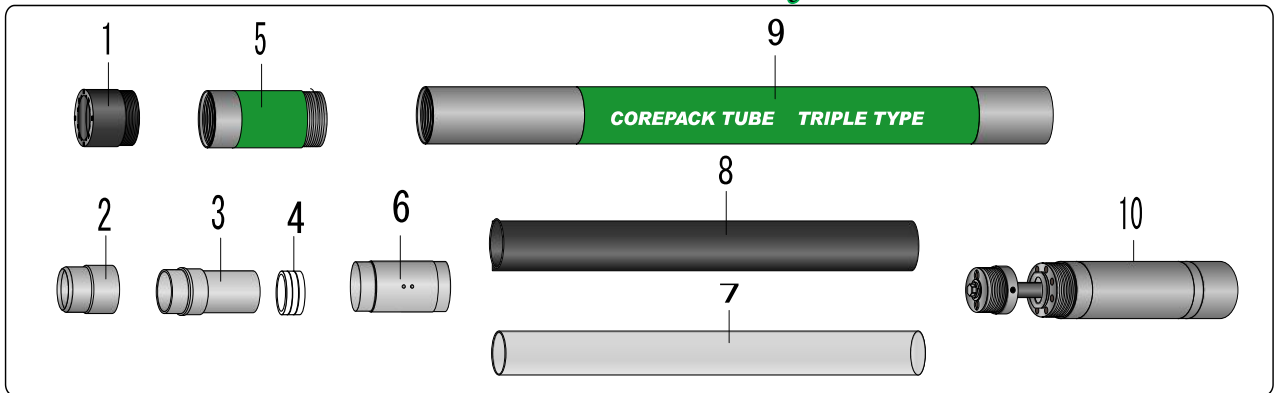
# Triple Core Barrel: 100TRIPLE Set

Set Item #: 38000

**Core  $\phi$  75mm  $\times$  1 meter!**  
**For very soft layer, liquefied stratum!**  
**High core recovery & High-quality core sample!**  
**Convenient Triple Tube structure using Acrylic Pipe!**

~ We offer “Main Assembly” & “Optional Parts in Tool Box” & “Switch Parts for Hard Rock” & “A pair of Free Arm Wrench” as a 100TRIPLE Set ~

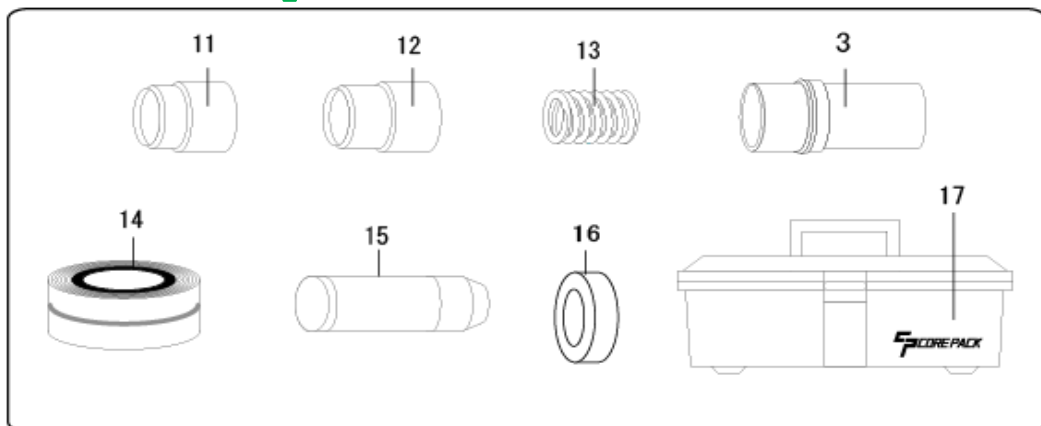
## “Main Assembly”



You can exchange the end of the tube correspondingly to the formation!!

( 1: Metal Bit, 2: Shoe and Spring inside 10: Swivel Head to  
 → “Switch parts for Hard Rock” 18, 19, 20 and 21 )

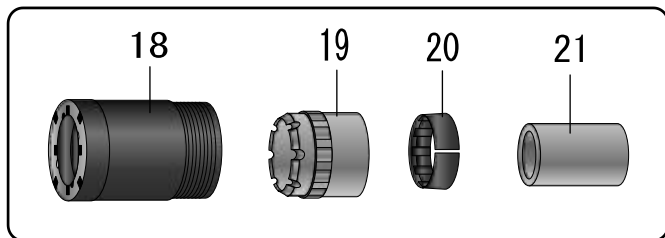
## “Optional Parts in Tool Box”



( There are two different shoes as spares.

Please use effectively according to the rock formation.)

## “Switch Parts for Hard Rock”



( If the formation is Hard,  
please switch 1,2 and Spring to these 18~21)

## “A pair of Free Arm Wrench”



●Particular surface prevents the tube from being slippery!

### ~ Name of the Parts : Core Pack Tube® 100TRIPLE ~

No.	Name	No.	Name
1	Metal Bit	11	Shoe(15M)
2	Shoe(20L)	12	Shoe(25LL)
3	Sleeve Case	13	Spring (weak)
4	Core Elevator	14	Plastic Sleeve ( 250m roll )
5	Guide Pipe	15	Setting Jig
6	Sleeve Collar	16	Steady Board
*7	Acrylic Pipe	17	Tool Box
8	Inner Tube	18	Metal Bit for Hard Rock
9	Outer Tube	19	Lifter Case for Hard Rock
10	Swivel Head	20	Core Lifter for Hard Rock
		21	Spring Collar for Hard Rock

\*7 Acrylic Pipe = five extra pipes are included for full set

## ~ SPECIFICATION ~

CORE PACK TUBE® 100TRIPLE is a kind of triple core barrel equipped with **Plastic Sleeve** which is widely used in Japan to take a good core sampling.

Type:TRIPLE is very useful for coring through the soft layer and liquefied stratum.

Whenever you use the set of CORE PACK TUBE® to get a good core sampling, you will surely feel that this is the best tool.

100TRIPLE			
Outside Diameter	100mm	Total Length	1475mm
Core Diameter	75mm	Total Amount	33kg
Core Sample Length	1.0m	Clearance between Tubes	2mm
Running Water	Clear/ Mud water	Rod Screw Type	40.5JIS

*As a special option,*

*Sand Bucket* PAT.P : *Never drops the core!*



♪ This is our brand-new product which can coring ultra-soft core without releasing ♪

♣ **Exclusive Sleeve Case** →  
is necessary for Sand Bucket use.  
We offer “Sand Bucket &  
Exclusive Sleeve Case” as a set  
if you order the Sand Bucket.

♣ Shorter than normal Sleeve Case      ♣ Normal Sleeve Case





Head Office

2-14-27 Nakahata Onojo City Fukuoka  
816-0921 Japan

TEL : +81 92 572 0680

FAX : +81 92 501 7824

Email : [webmaster@corepack.co.jp](mailto:webmaster@corepack.co.jp)

URL : <http://www.corepack.co.jp>